

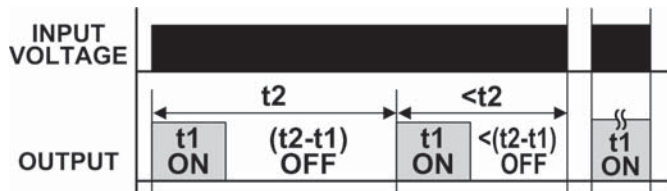
# PERCENTAGE TIMER

## PTA SERIES | NO MEMORY

The PTA Series without memory is a microprocessor-based Percentage Timer that delivers reliable and accurate timing for critical applications where the ON time ( $t_1$ ), as a percentage of the total cycle time, must be adjustable. The fixed overall length ( $t_2$ ) of the repeating ON/OFF cycle is selected as the time range with multiple ranges offered in seconds, minutes, and hours. Typical applications include controls for irrigation, chemical feeding, electric heating & cooling, motors and lubrication systems.

### FUNCTION: PERCENTAGE (NO MEMORY)

Upon initial application of input voltage, the output is energized and time delay ( $t_1$ ) begins. Time Delay ( $t_1$ ) is adjustable as a percentage of the overall cycle time ( $t_2$ ). At the end of time delay ( $t_1$ ), the output is de-energized for the remainder of overall cycle ( $t_2-t_1$ ). The sequence then repeats until input voltage is removed. If input voltage is removed and reapplied, the timing cycle will be reset. A setting of 100% energizes the output continuously while a setting of 0% de-energizes the output continuously.



INPUT VOLTAGE (50/60HZ)	TIME RANGE ( $t_2$ )	PRODUCT NUMBER	WIRING
120V AC	15 Seconds 30 Seconds 1 Minute 2 Minutes 15 Minutes 30 Minutes 1 Hour	PTA2015SB PTA2030SB PTA2001MB PTA2002MB PTA2015MB PTA2030MB PTA2001HB	
240V AC	15 Seconds 30 Seconds 1 Minute 2 Minutes 15 Minutes 30 Minutes 1 Hour	PTA1015SB PTA1030SB PTA1001MB PTA1002MB PTA1015MB PTA1030MB PTA1001HB	<p>DIAGRAM 209</p>



- ◆ Industry-standard panel cutout and mounting pattern
- ◆ No memory
- ◆ Onboard potentiometer for easy time delay adjustment
- ◆ LED indicates relay status
- ◆ 10A SPNO output
- ◆ Terminal block makes wiring easier from top or bottom
- ◆ Secure termination with bare wire or crimp terminals
- ◆ Touch-safe terminal cover available - Macromatic P/N 70600
- ◆ Mounting hardware included



Better. By Design.

**800.238.7474**

[WWW.MACROMATIC.COM](http://WWW.MACROMATIC.COM)

[SALES@MACROMATIC.COM](mailto:SALES@MACROMATIC.COM)

# PERCENTAGE TIMER

## PTA SERIES

### APPLICATION DATA

**Voltage Tolerance:**

+10/-15% of nominal at 50/60 Hz

**Load (Burden):** Maximum of 3 VA for all voltages

**Setting Accuracy:** +/- 2%

**Setting Precision:** +/- 1% of total cycle time

**Dial Resolution:** Dial settings marked in 1% increments

**Indication:**

LED remains on steady during relay OFF time

LED blinks during relay ON time

**Repeat Accuracy:** (constant voltage and temperature):

+/-0.1% or +/- 0.04 seconds, whichever is greater

**Reset Time:** 300ms

**Start-up Time:** (Time from when power is applied until unit is

timing): 0.05 Seconds

**Temperature:**

Operating: -28° to 65°C (-18° to 149°F)

Storage: -40° to 85°C (-40° to 185°F)

**Output Contacts:**

10A @ 240VAC / 7A @ 28V DC SPNO, 1/4hp @ 120V AC

**Life:**

Mechanical: 10,000,000 operations

Full Load: 100,000 operations

**Mounting:**

Panel Mount with supplied hardware

**Termination:**

Pressure Clamp Screw Terminals

#12-22 AWG Wire, Solid, Stranded Wire

Recommended Tightening Torque 7 in.-lbs. (12 in.-lbs maximum)

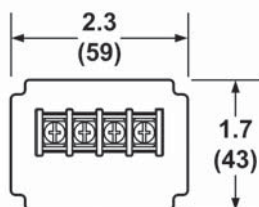
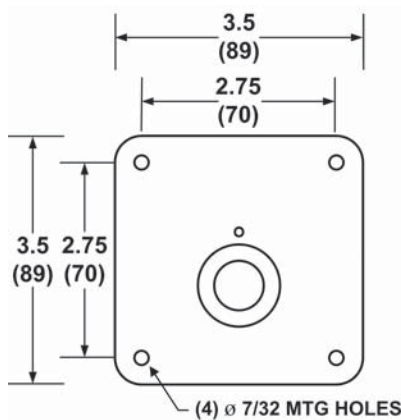
PT Series Finger-Safe Terminal Cover P/N 70600



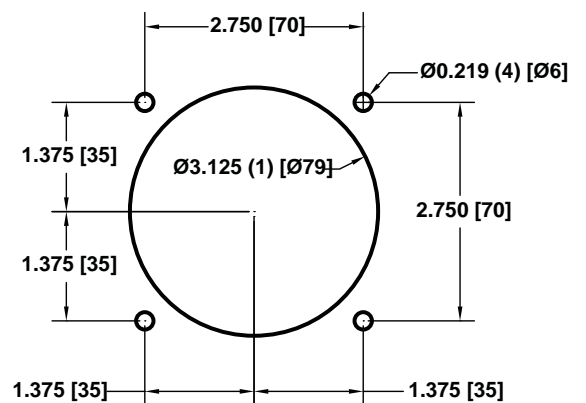
Approvals:



### DIMENSIONS



Panel Cutout



All Dimensions in  
Inches (Millimeters)

# ACCESSORIES

## PTA SERIES

### PT Series Finger-Safe Terminal Cover Catalog Number 70600

Cover for terminal block on the PT Series Percentage Timer. Snaps in place for a quick and reliable terminal cover solution.

- **Material:** Polycarbonate
- **Flame Rating:** UL94V-2
- **Temperature:** -40 to 80°C

